

The ED50 Series of Heavy Duty Mechanical Digital Locks

The Universal Lever operated Heavy Duty ED50 series of mechanical locks are supplied with a full size return to door lever, making it suitable for public buildings such as Schools, Care Homes and Hospitals. It is mechanically designed for heavy duty operation with a cast zinc alloy body, 8mm spindle, clutch mechanism and heavy duty anti-thrust 20mm throw latch to suit 60mm & 70mm backsets

The coordinated rubber backing plate offers weather protection for external use.

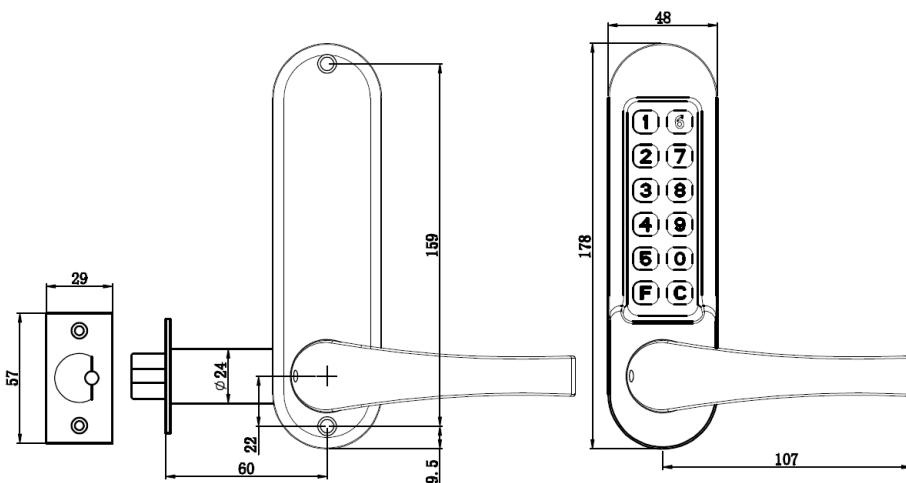
Also available in a passage free unit The Clutch mechanism on the handle is designed to prevent damage by misuse.

Supplied with pre-cut spindles for doors up to 60mm thick.



Heavy Traffic Doors

- Public Access Doors
- Hospital Staff Doors
- School Staff Doors
- Laboratories
- Public Buildings
- Care Homes
- Commercial Projects



Product Specification

Dimensions(mm)	178x48x90
Code Buttons	11
Combinations	800+
Latch Size	60/70mm
Order Codes	
	70261 ED50 Standard Operation
	70262 ED50 Passage Free Operation